

Axiom Collection

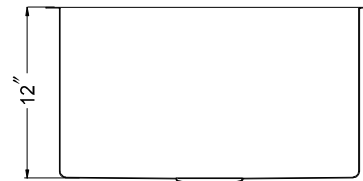
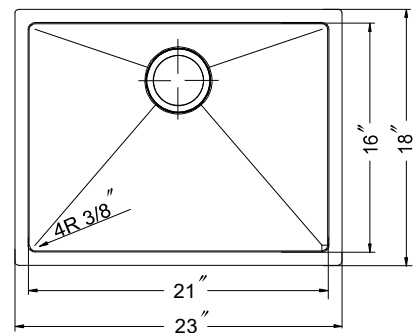
10mm Radius Undermount Single Bowl Laundry Sink Model AXI-2318-12



AXI-2318-12

FEATURES

- Premium grade T-304 stainless steel
- 12" depth • 18 gauge
- TotalGuard+ Insulation over Sound Deadening Pads
- 10mm/0.4" Radius Coved Corner
- Brushed satin • Rear-set Drain
- 3-1/2" drain opening
- Fits 30" sink base
- Supplied with cutout template, fasteners and instructions
- Lifetime Limited Warranty



OPTIONAL ACCESSORIES

Bottom Grid: SWG-2116

Strainer: BAS-2000-SS

OVERALL DIMENSIONS	EACH BOWL	CUTOUT SIZE	PACKAGING*	WEIGHT*
23" x 18"	21" x 16"	See Template	1/12 pcs.	30/400 lbs.

*Standard packaging: Single boxed / Pallet of single boxed.
All dimensions are in inches. Specifications subject to change without notice.

Project/Job name _____

Architect/Engineer _____

Contractor _____

Model _____ Qty _____

Notes _____

Installation profile

