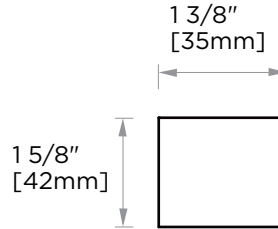
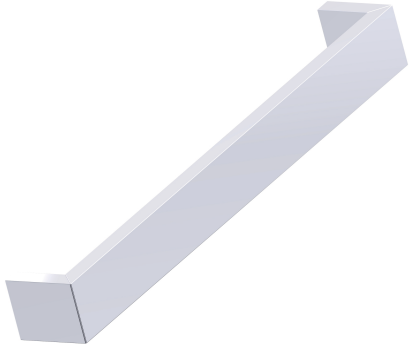


HAMBURG COLLECTION

APPLIANCE PULL 24" 440924



PRODUCT NAME: APPLIANCE PULL 24"

PRODUCT CODE: 440924

MATERIAL: All-brass construction

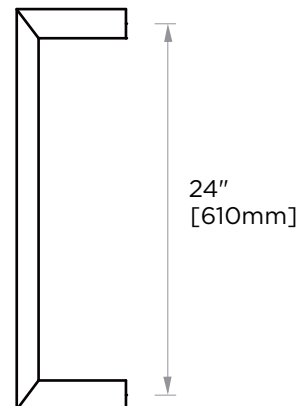
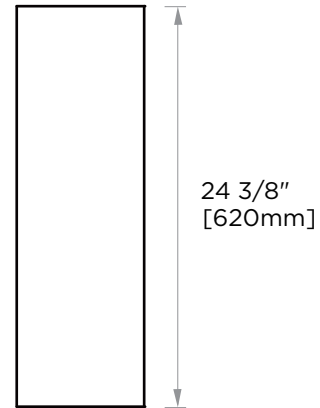
KEY FEATURES: Transitional design.
Rectangular bold solid style.

STOCKED FINISHES:

- Polished Chrome (99)
- Brushed Nickel (81)
- Matte Black (48)

SPECIAL FINISHES AVAILABLE: 26 options available.
Please see our website for full list samples

WARRANTY:
Lifetime Limited (Residential Use)
One Year (Commercial Use)



NOTE: Dimensions and specifications are subject to change without notice.