

Legato® Undercounter Lavatory

FEATURES

- 17" x 15"
- Rimless, rectangle design for undercounter installation
- Rear overflow
- Optional CeFiONtect™ ceramic glaze - prevents debris and mold from sticking to ceramic surfaces, leading to fewer chemicals and less water in cleaning
- Vitreous china
- Mounting assembly complete with installation template and mounting screw set for wood countertops
- THU410 is required for marble/granite type countertop installation and must be purchased separately



MODELS

- LT624G
With CeFiONtect glazing (#01, #03, #11, #12)
- LT624
Without CeFiONtect glazing (#51 only)

COLORS/FINISHES

- #01 Cotton
- #03 Bone
- #11 Colonial White
- #12 Sedona Beige
- #51 Ebony (not available with CeFiONtect)

CODES/STANDARDS

- Meets and exceeds ASME A112.19.2/CSA B45.1
- Certifications: IAPMO(cUPC), State of Massachusetts, City of Los Angeles, and others
- Meets ADA guidelines and ANSI A117.1 requirements when countertop is installed 864mm (34") from finished floor and lavatory is installed 205mm (8-1/8") minimum from front edge.



PRODUCT SPECIFICATION

The undercounter lavatory shall be made of vitreous china. Lavatory shall be 17" in length and 15" in width. Product shall be with overflow and lavatory shall include mounting assembly. Lavatory model LT626G shall have CeFiONtect ceramic glaze. Lavatory shall be TOTO Model LT624_____.

LT624(G)

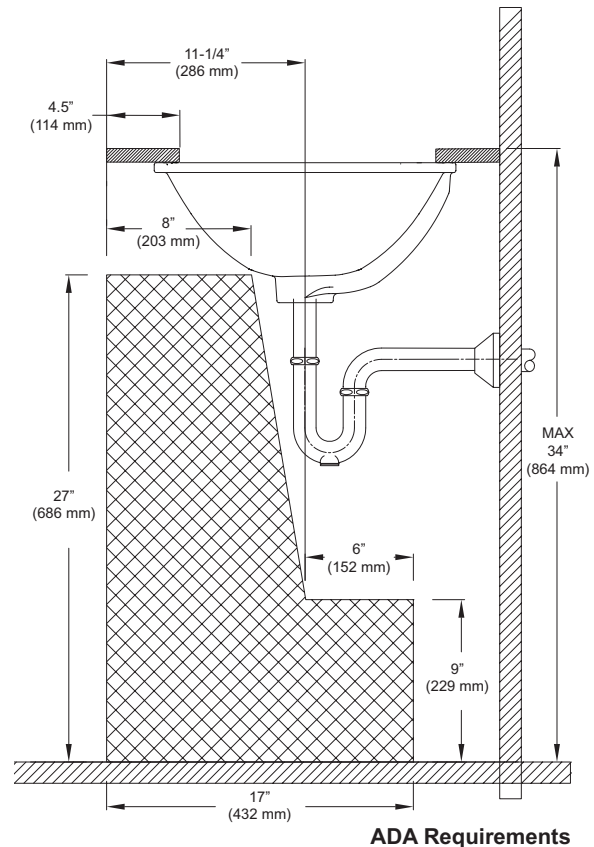
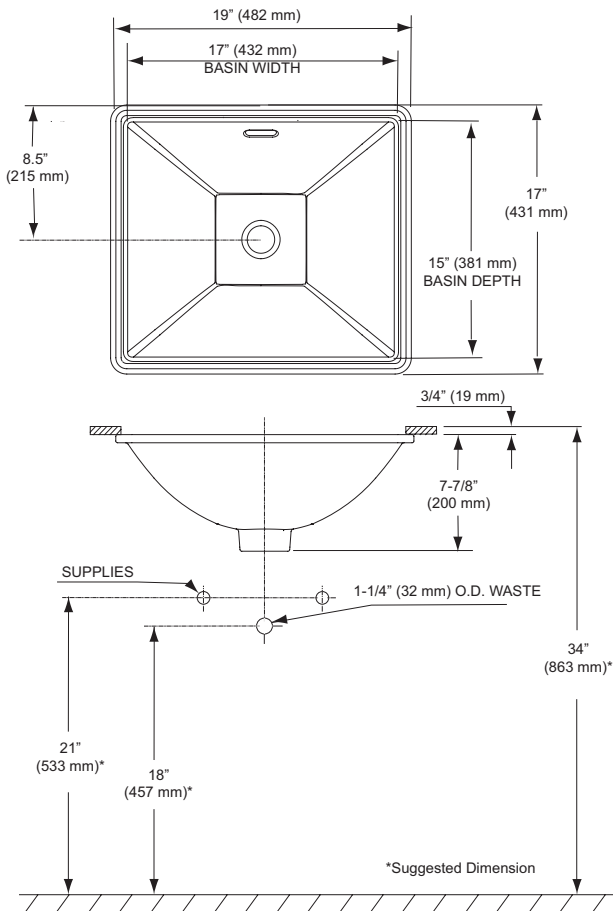
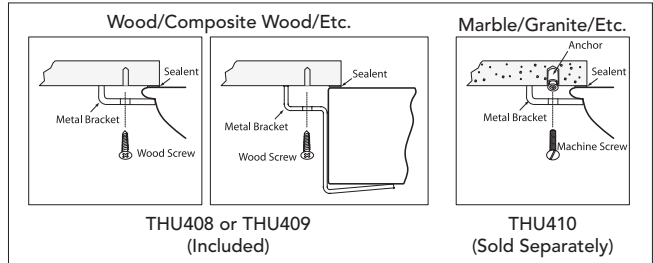
Legato® Undercounter Lavatory

SPECIFICATIONS

- Waste 1-1/4" O.D.
- Size 19"W x 17"D
- Basin 17"W x 15"D
- Warranty One Year Limited Warranty
- Material Vitreous china
- Shipping Weight 24.5 lbs.
- Shipping Dimensions 22-1/4"W X 18-3/4"D X 9-3/4"H

INSTALLATION NOTES

Mounting Hardware



TOTO®

These dimensions and specifications are subject to change without notice